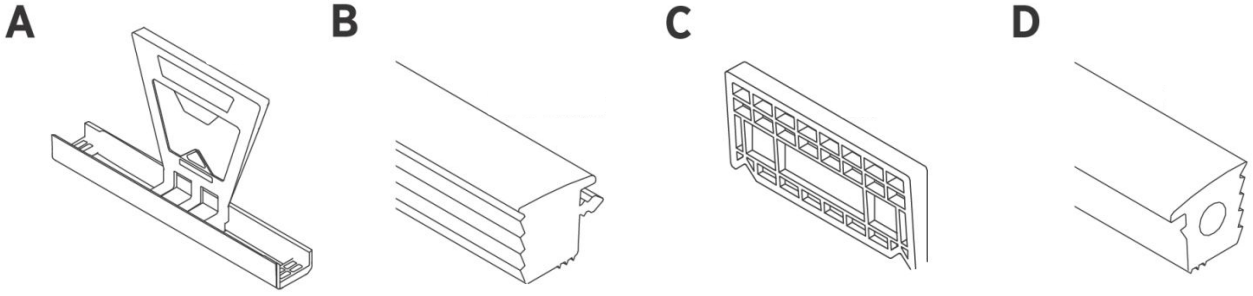
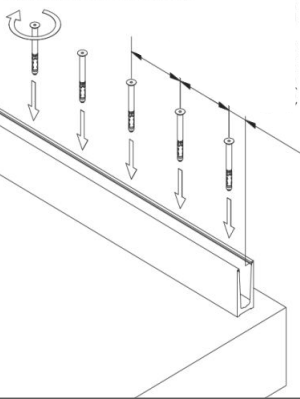




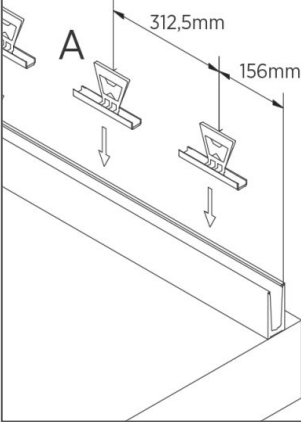
# Easy Adjust Installation Guide



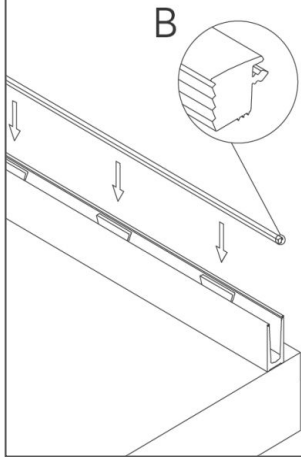
**01**  
 # of fixings per 2.5m:  
 0.74kN = 13  
 1.5kN = 25



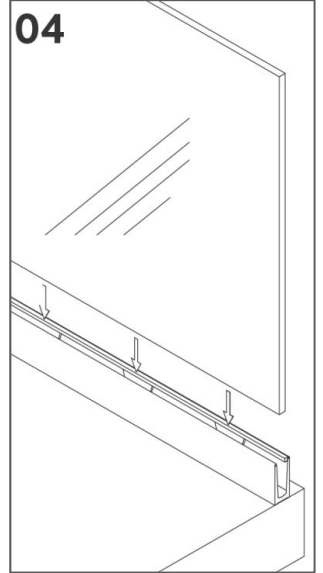
**02**



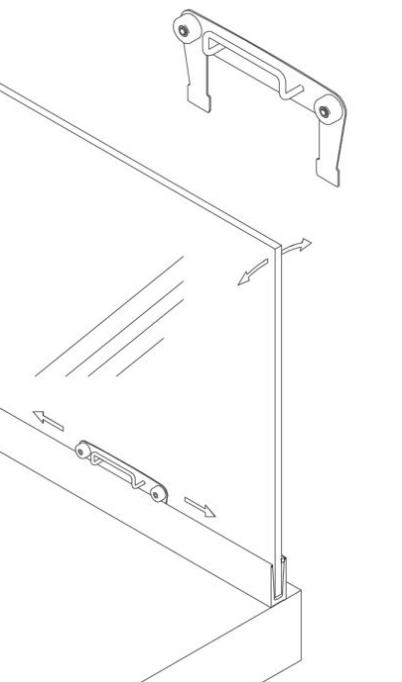
**03**



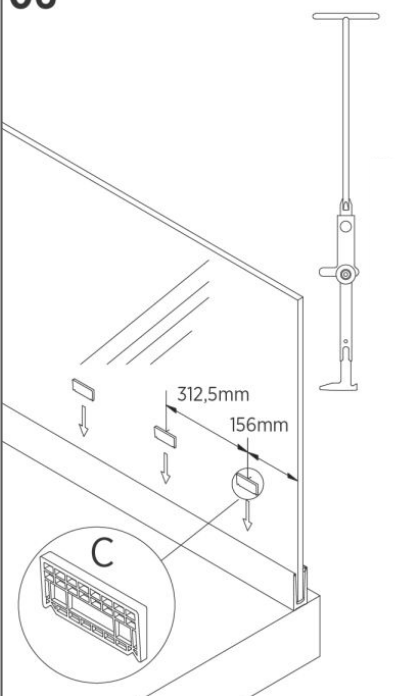
**04**



**05**



**06**



**07**

