

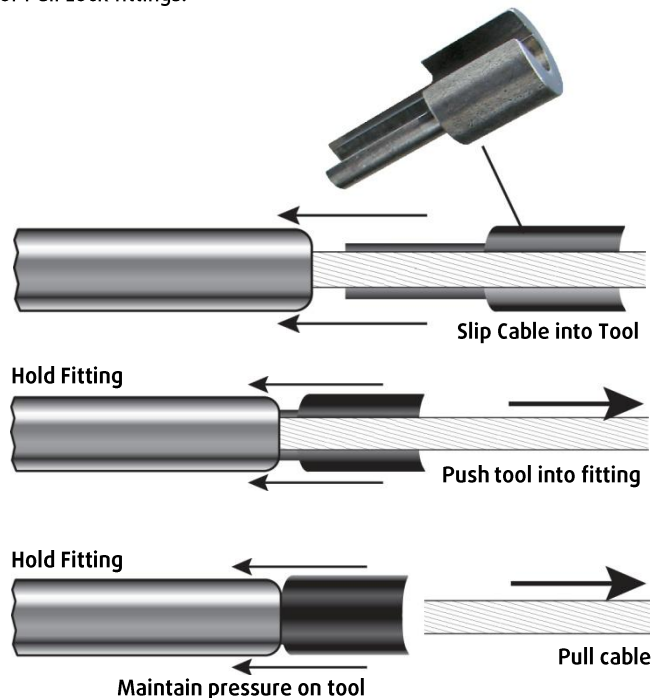


Cable Release Tool Instructions

V1301

The Cable Release Tool is used to release the cable from Push or Pull Lock fittings.

- 1) Release all tension from the cable. The Release Tool will most likely not release the cable if the cable is either under tension or HAS BEEN under more than 60kg of tension.
- 2) Slip the cable into the groove of the Cable Release Tool, with the smaller diameter end positioned at the opening in the fitting.
- 3) Hold the fitting and push the tool into the opening in the fitting. You will feel the tool pushing against the jaws inside the fitting.
- 4) Continue holding the fitting while maintaining pressure on the jaws of the fitting with the tool. At the same time, pull the cable in the opposite direction to remove it from the fitting



NOTE: If the cable has been under tension we recommend that the Push or Pull Lock fitting is discarded. Damage to the jaws may mean that the fitting will fail under impact loading.



white metal

Architectural Fittings
& Components

7-9 Cooke Road, Lowestoft, Suffolk NR33 7NA

t 0845 108 7770 f 0845 108 7771

e sales@whitemetal.co.uk w www.whitemetal.co.uk