



quick code

793

Glass Clamp for 10mm Glass

Specification

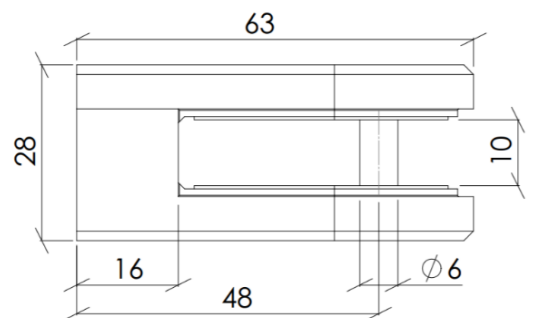
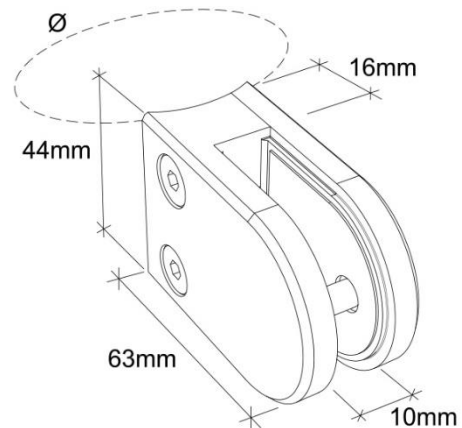
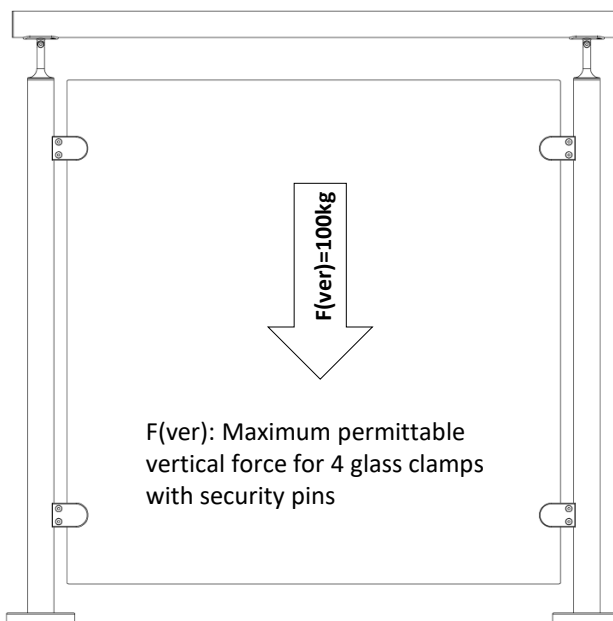
- ✓ Clamp to suit 10mm Glass
- ✓ Premium grade 304 or 316 stainless steel
- ✓ Safety pins included

Options

- ✓ Available in flat or radius back
- ✓ Satin or mirror polished finish

Design Recommendations

- ✓ Recommended hole size in glass is 13mm
- ✓ We recommend that at least 2 of the safety pins are used on every panel
- ✓ See 'Clamp Definitions' sheet for help when measuring for glass



Technical information, dimensions and illustrations in this guide are for guidance purposes only. We reserve the right to change product sizes and details without prior notice. All advice or assistance relating to our products is given in good faith but without obligation and subject specifically to the exclusion of any liability whatever on our part or on the part of our staff for damages whether direct or consequential. It is the buyer's responsibility to establish the suitability of the product and materials for the purpose for which they are purchased.

Version: 2019-01