

quick code

270

Flat Topped 180° Centre Balustrade Post

Specification

- ✓ 1100mm tall
- ✓ Suitable for 10mm glass
- ✓ 2.5mm tube wall thickness for added strength

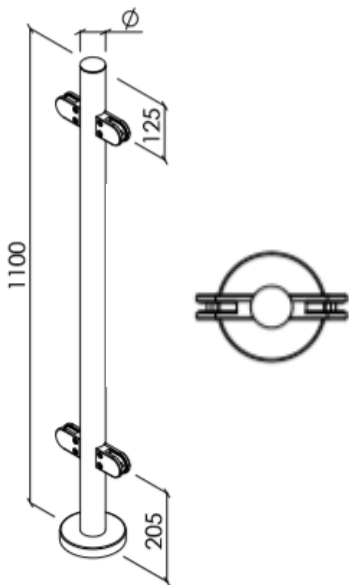
Options

- ✓ Clamps for thicker glass available
- ✓ Satin or mirror polished available
- ✓ 42.4mm or 48.3mm diameter tube
- ✓ Post height can be customised
- ✓ Bespoke placing/spacing of clamps are available
- ✓ Every post is made to order, so can be easily customised



Design Recommendations

- ✓ Gaskets are stepped to stop the glass coming in contact with the clamp
- ✓ We recommend that 2 of the safety pins are used on every panel



Technical information, dimensions and illustrations in this guide are for guidance purposes only. We reserve the right to change product sizes and details without prior notice. All advice or assistance relating to our products is given in good faith but without obligation and subject specifically to the exclusion of any liability whatever on our part or on the part of our staff for damages whether direct or consequential. It is the buyer's responsibility to establish the suitability of the product and materials for the purpose for which they are purchased.

Version: 2019-01